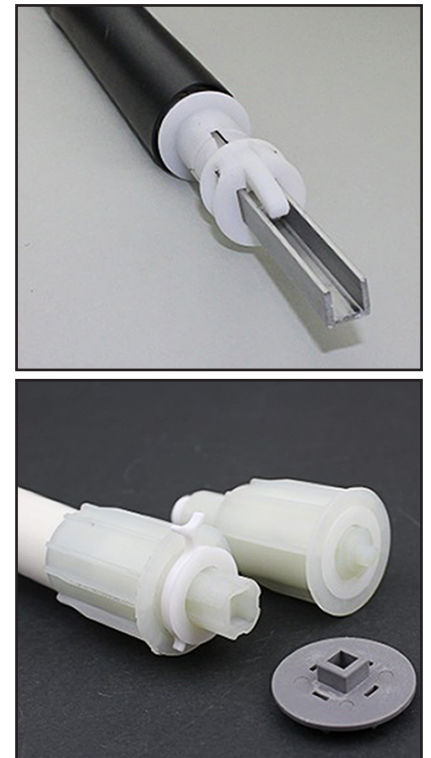


**PRODUCT OVERVIEW**

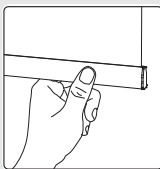
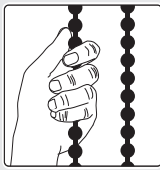

**ZeroGravity** is new and unique technology (patent pending worldwide) that allows the spring tension to be quickly and simply adjusted to always perfectly match the weight of the roller blind (roller shade), no matter what width, fabric weight or tube size. As a result, the roller blind always remains in perfect balance, never heavy to lift nor does it tighten at the top or bottom of travel.

**Key features and benefits**

- **Nearly effortless operation.** The weight of the spring can be quickly and simply adjusted to always perfectly match the weight of the roller blind, no matter what width, fabric weight or tube size.
- **Modular.** **ZeroGravity** fully integrates into all **SunBoss** brackets, which means it works with single blinds, double blinds, fascia, cassette, rail systems etc.
- **Smaller light gap.** Deductions down to 25mm.
- **Flexible.** Can be used on blinds up to 4m, with or without a cassette or fascia.
- **Versatile.** Chain or chainless operation – both operated with the lightest touch.



**TARGET MARKETS**

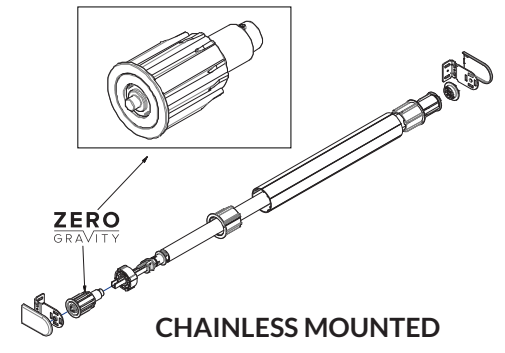
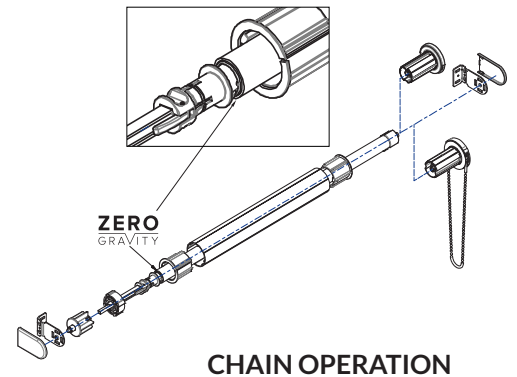
OPERATION		SUITED FOR
	<p><b>CHAINLESS</b> Delivers perfectly balanced blinds that can be simply operated with a gentle raising or lowering of the base rail.</p>	<ul style="list-style-type: none"> <li>› Homes with young children</li> <li>› Schools, Child Care centres</li> <li>› Hospitals</li> </ul>
	<p><b>CHAIN OPERATED</b> Ultra-light weight chain operated blinds that allow raising and lowering of the blind with the lightest touch.</p>	<ul style="list-style-type: none"> <li>› Aged care / Aged living</li> <li>› Disability / Infirm users</li> <li>› Luxury markets</li> <li>› Premium hotels</li> </ul>
	<p><b>DC MOTORISATION</b> Even the largest roller blinds can also be lifted with very small DC motors (&lt; 1Nm), drawing almost no power and greatly extending battery life.</p>	<ul style="list-style-type: none"> <li>› Energy efficient buildings</li> <li>› Commercial applications</li> </ul>



**PRODUCT ORDERING**

**ZeroGravity** has been kitted to simplify the ordering process. Different configurations are available, LEFT and RIGHT hand operation, plus Light, Medium and Heavy duty. The Clutch Mounted version is a single part number replacement for a standard spring assist and attaches to either the SunBoss SBR38-01 or SBR38-01G clutches. The Chainless version is supplied as a kit that includes the spring unit, bracket adapter disk and special non-plunging idler end for simpler installation.

CHAIN OPERATED	
503611000L	ZeroGravity Spring Kit, Clutch Fit, Heavy Duty, LH
503611000R	ZeroGravity Spring Kit, Clutch Fit, Heavy Duty, RH
503612000L	ZeroGravity Spring Kit, Clutch Fit, Medium Duty, LH
503612000R	ZeroGravity Spring Kit, Clutch Fit, Medium Duty, RH
503613000L	ZeroGravity Spring Kit, Clutch Fit, Light Duty, LH
503613000R	ZeroGravity Spring Kit, Clutch Fit, Light Duty, RH
CHAINLESS MOUNTED	
503621000L	ZeroGravity Spring Kit, Idler Mounted, Heavy Duty, LH
503621000R	ZeroGravity Spring Kit, Idler Mounted, Heavy Duty, RH
503622000L	ZeroGravity Spring Kit, Idler Mounted, Medium Duty, LH
503622000R	ZeroGravity Spring Kit, Idler Mounted, Medium Duty, RH
503623000L	ZeroGravity Spring Kit, Idler Mounted, Light Duty, LH
503623000R	ZeroGravity Spring Kit, Idler Mounted, Light Duty, RH



**SIZES**

SPRING SIZE	CHAIN OPERATED			CHAINLESS		
	LIGHT	MEDIUM	HEAVY	LIGHT	MEDIUM	HEAVY
Minimum Blind Width	710mm	985mm	1045mm	690mm	940mm	1000mm
Maximum Drop	Web Address: <a href="http://www.blindware.com.au/wp-content/uploads/2018/09/Max-Drop-Charts.pdf">http://www.blindware.com.au/wp-content/uploads/2018/09/Max-Drop-Charts.pdf</a>					

**COMPATABILITY CHART**

	TUBE SIZE						BRACKET								
	38mm	40mm UNI	43mm	45mm UNI	50mm	63mm	40mm single	55mm single	75mm single	Compact Dbl	Recess Dbl	75mm Fascia	Double Fascia	80mm Cassette	MEGA-system
CLUTCH MOUNTED	•	•	•	•	•	•	•	•	•	•	•	•	•	•	•
CHAINLESS	•	•	•	•	•	•	•	•	•	•	•	•	•	•	•

**RELATED PRODUCTS:**

**Deluxe bottom rail**

When used in chainless configuration, **ZeroGravity** requires a base/bottom rail weight of at least 500gm/ metre. 1.5m base rail weights will be available to order.



SunBoss Deluxe Flat Base Rail



SunBoss Deluxe Oval Base Rail

